

EMCO
WHEATON

TANK TRUCK EQUIPMENT

Catalogue 2020



CONTENTS

| | | | |
|---|-----------|--|-----------|
| Company Profile | 3 | 04 Vapour Adapters & Vent Valves | 23 |
| Tank Truck Equipment – Mechanical Products | 4 | Features & Benefits | 24 |
| 01 API Bottom Loading Adapters | 5 | Variant & Technical Information | 24 |
| Features & Benefits | 6 | F0592-300 series - Threaded Vapour Vent | 25 |
| F5000 – Non-Openable API Adapter | 7 | F0592-100 series - Flanged High Flow Vapour Vent | 25 |
| F5001 – Openable API Adapter | 7 | F0530 - Vapour Recovery Adapter | 26 |
| F5002 – Openable API Adapter with sight glass | 8 | F0536 – Vapour Recovery Adapter Dust Cap | 26 |
| Ordering Information | 8 | F0567 - Air Interlock Valve | 26 |
| 02 API Adapters Accessories | 9 | H7061 – Vapour Transfer Vent Ducting | 27 |
| Features & Benefits | 10 | Ordering Information | 27 |
| F0459 – API Gravity Drop Adapter | 11 | 05 Manhole covers & accessories | 28 |
| F0499 – API Dust Cap | 12-13 | Features & Benefits | 29 |
| F0091 - 4" TTMA flange Sight Glass | 14 | Product & Technical Information | 29 |
| Ordering Information | 14 | F0355 – 16" Manhole Cover | 30 |
| 03 Emergency Valves & Accessories – mechanical and pneumatic | 15 | F0512-500 Series – 20" Manhole Cover Pressed Aluminium Plate | 31 |
| Features & Benefits | 16 | F0339 – 16" x 14" Oval Manhole Cover | 32 |
| Variants & Technical Information | 16 | Ordering Information | 32 |
| F7000 - 4" High Flow Emergency Mechanical Valve | 17 | | |
| F7010 - 4" High Flow Straight Emergency Valve | 17 | | |
| F0335 - Mechanical Emergency Valve | 18 | | |
| F7023/F7024 - 4" (Dn100) Pneumatic Emergency Valve | 18 | | |
| F7033/F7034 - 4" (Dn100) Intermediate Pneumatic Emergency Valve | 19 | | |
| F7043 - 4" (Dn100) Low Profile Pneumatic Emergency Valve | 19 | | |
| F7063 - 4" (Dn100) Pneumatic, Tee Emergency Valve | 20 | | |
| F0019 - Emergency Valve Bottom Operator | 21 | | |
| F0028 - Cable Assembly | 22 | | |
| Ordering Information | 22 | | |

WITH MORE THAN 100 YEARS' EXPERIENCE

WORKING WITHIN THE FLUID TRANSFER INDUSTRY

Emco Wheaton has pedigree and knowledge in the manufacture of world leading equipment. Leaders in the design and manufacture of tank truck equipment, our products are designed to ensure that your product is delivered without spillage or contamination, and at all times protecting the driver and the environment. Emco Wheaton in association with the world's major international oil and chemical companies have invented equipment and systems for distribution of oil products.

Our focus on the provision of systems based solutions to real customer and market-generated issues is based upon a tradition of excellence and innovation in design, manufacture and aftermarket care. A fundamental appreciation of both market and customer needs provides the basis upon which quality products and services are scoped, designed and brought to market, ensuring that quality is in-built. Our equipment complies with international standards and recommended practices. As you would expect from a ISO9000/2000 approved company, our methods and manufacturing procedures are monitored consistently, resulting in quality approved equipment time after time.



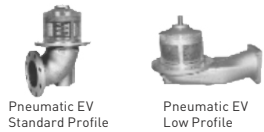
We are committed to ensuring that excellence in customer service is integral to our business processes and to the design, manufacture, delivery and installation of all of the products and systems we supply. We recognize that excellent customer care must be an integral ingredient in the delivery of high quality products and services.

With a global network of trained technicians, agents, distributors and representatives, we are committed to continually raising our standards of customer care, delivering first class systems

Throughout our history we have educated and equipped the industry internationally in safe, reliable systems and products for efficient and environmentally friendly product handling whilst loading, transporting and unloading and we each have a responsibility to continue to do so.

TANK TRUCK EQUIPMENT PRODUCT RANGE

BOTTOM LOADING AND VAPOUR RECOVERY



Pneumatic EV
Standard Profile

Pneumatic EV
Low Profile



Manhole
Cover



Manhole
Cover Key



Dip Interlock
Assembly



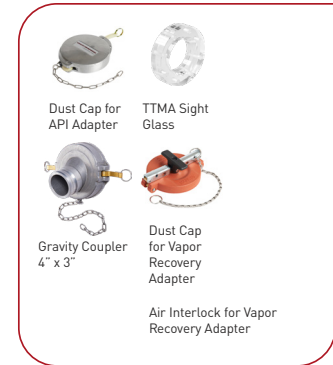
Dip Tube
Assembly



Hose Ducting for
Vapour Vent



Pressure Vacuum
Vent (Included in
manhole)



Dust Cap for
API Adapter



TTMA Sight
Glass

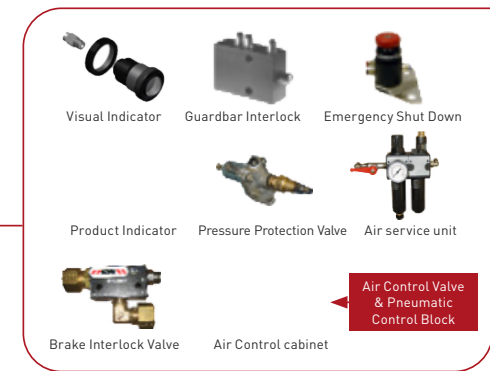


Gravity Coupler
4" x 3"



Dust Cap
for Vapor
Recovery
Adapter

Air Interlock for Vapor
Recovery Adapter



Visual Indicator



Guardbar Interlock



Emergency Shut Down



Product Indicator



Pressure Protection Valve



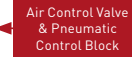
Air service unit



Brake Interlock Valve



Air Control cabinet



Air Control Valve
& Pneumatic
Control Block

01

API BOTTOM LOADING ADAPTERS

FEATURES & BENEFITS



API bottom loading Adapters and couplers form the critical connection during bottom loading of the road tanker at the loading rack, and during gravity discharge at the service station.

The Emco Wheaton range of API bottom loading adapters are designed to incorporate maximum safety, whilst ensuring low-pressure drop, and hence high flow, providing easy maintenance and a long service life. Every Adapter in the Emco Wheaton range meets the recognised international standards and industry codes of practice.

The Emco Wheaton API Adapters have been designed with a flat base to ensure full product drainage when unloading and are the ideal choice for any organisation involved in the transportation of fuels. With their aluminium body, hard anodized indexible nose ring and flat bottom our products set the standard in design and build quality. Each model shares common spare parts minimising maintenance costs and reducing spare parts inventory.

BENEFITS

- **Hard anodised** replaceable nose ring, with 4 position indexing for extended life (where applicable).
- **Two stage** fixed aluminium handle gives positive indication of valve position (where applicable).
- **Flat bottom** of valve body ensures complete product drainage.
- Conforms to **API RP1004** for total compatibility with API couplers.
- Available with or without **sight glass**
- **Lightweight** die cast aluminium construction for increased payloads with strength.
- Viton seals are standard for **compatibility** with high-octane fuels and additives.
- Hydrodynamic design minimises pressure drop for **high flow rates**.
- **Stainless steel** internal components.
- **Top mounting** for air interlock (F0567).

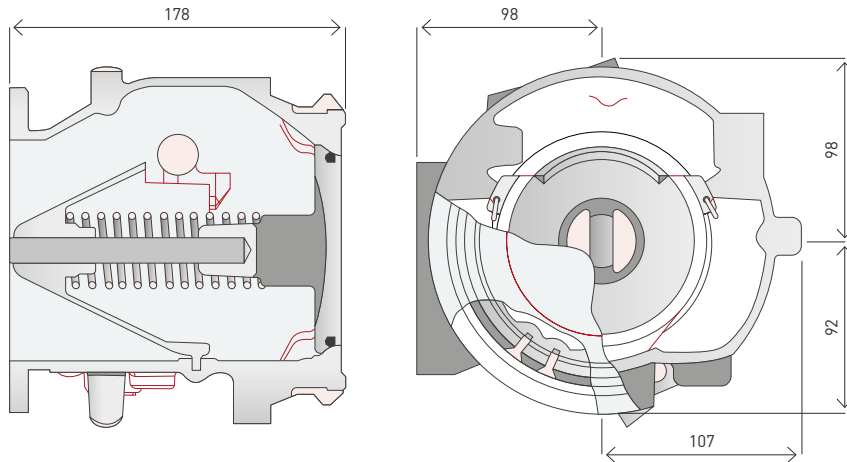
API BOTTOM LOADING ADAPTERS

VARIANTS AND TECHNICAL INFORMATION

F5000

Non-Openable API Adapter

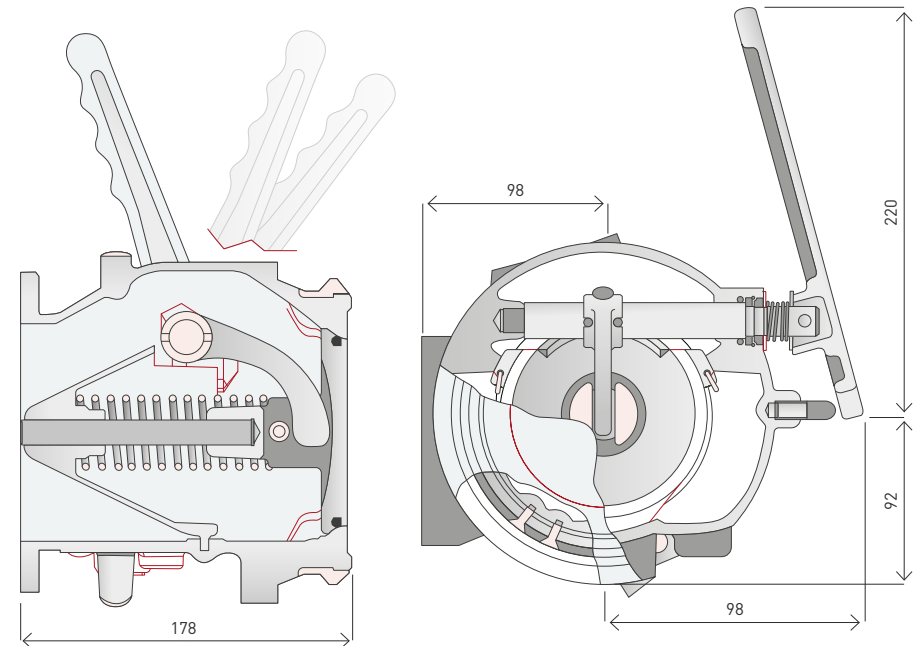
► Weight: 3.53 kg



F5001

Openable API Adapter

► Weight: 4.40 kg

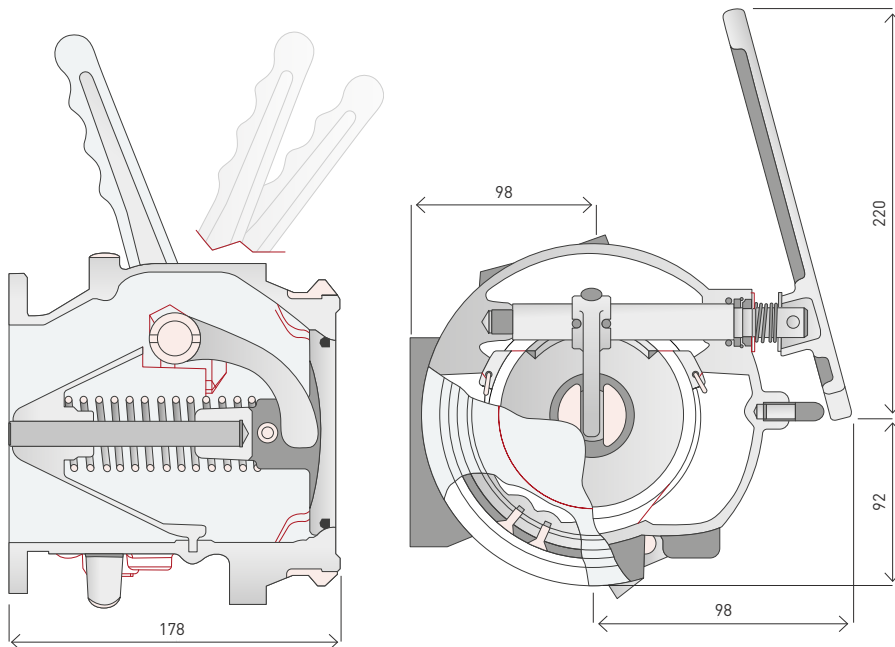


VARIANTS AND TECHNICAL INFORMATION

F5002

Openable API Adapter
with sight glass

► Weight: 4.45 kg



ORDERING INFORMATION

| Variants | Description |
|------------|---|
| F5000-001 | API Adapter, one-piece body, Viton, Non Openable (loading only) |
| F5000-002 | API Adapter, one-piece body, Teflon, Non Openable (loading only) |
| F5000-003 | API Adapter, one-piece body, Buna, Non Openable (loading only) |
| F5001-001 | API Adapter, one-piece body, Viton, Openable, without sight glass |
| F5001-002 | API Adapter, one-piece body, Teflon, Openable, without sight glass |
| F5002-001 | API Adapter, one-piece body, Viton, Openable, sight glass |
| F5002-001S | API Adapter, one-piece body, Viton, Openable, anti-tamper sight glass |
| F5002-002 | API Adapter, one-piece body, Ptfе, Openable, sight glass |

Other variants are available. Please contact Emco Wheaton for further information.



When specifying API Adapters for your vehicle the following points should be considered:

- ✓ Use F0567 Air Interlocks when required.
- ✓ How many valves are required per vehicle?
- ✓ Specify the F0499 API Dust Cap to protect your valves.
- ✓ The flange gasket to suit this valve should be ordered separately.

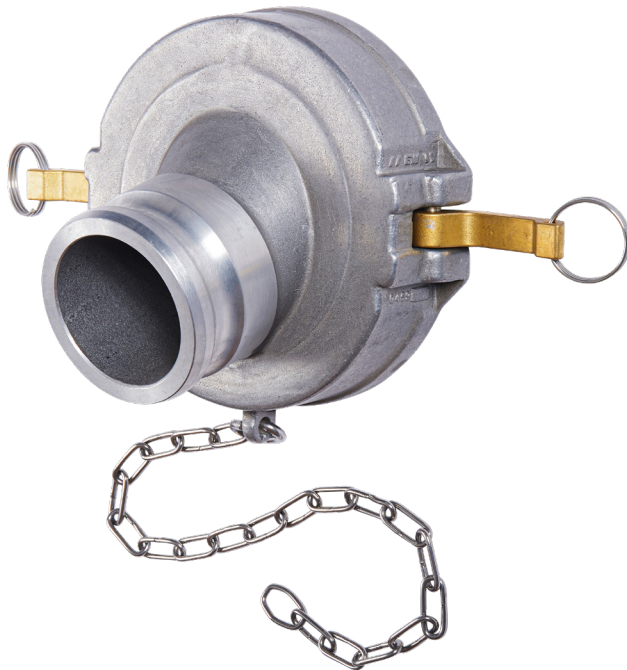
02

API ADAPTER **ACCESSORIES**

Emco Wheaton offer a range of complementary accessories to the API adapter.

F0459 API GRAVITY DROP ADAPTER

FEATURES & BENEFITS



The **Emco Wheaton F0459** range of API Gravity Drop Adapters has been specifically designed for use with API adapters when discharging product and will couple to any adapter made in accordance with API RP1004.

APPROVALS

- ✓ Conforms to API RP1004
- ✓ EmcoWheatonSurelok™ conforming to MIL-C-27487 specification

BENEFITS

- **High quality** lightweight die cast body.
- **Internal shoulder** to grip adapter nose and support weight of product hose
- **Stainless Steel** chain supplied as standard for attachment to API Adapter.
- **2½", 3" and 4" Surelok™** outlet variants available.
- **3" and 4" Threaded** outlet variants available.
- **Suitable** for all API Adapters which conform to RP1004

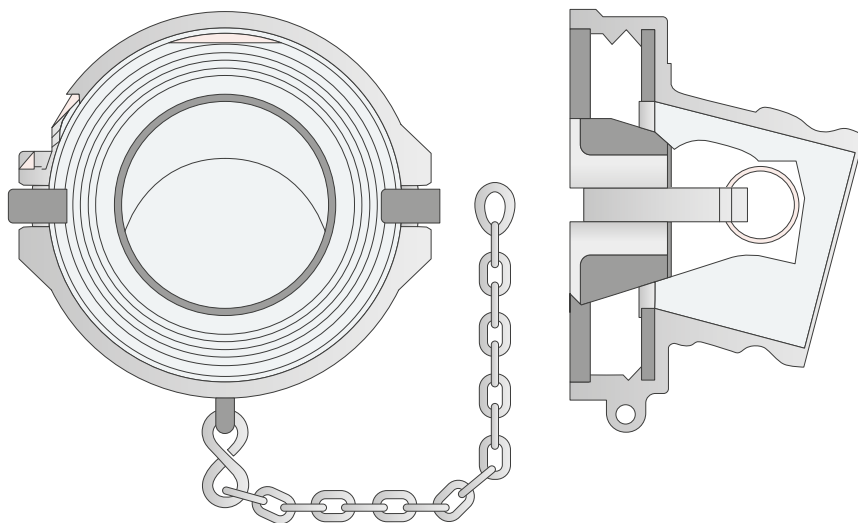
F0459 API GRAVITY DROP ADAPTER

VARIANTS AND TECHNICAL INFORMATION

F0459

API Gravity Drop Adapter

- ▶ Weight:
 - 2½" = 1.40 kg
 - 3" = 1.81 kg
 - 4" = 2.27 kg



ORDERING INFORMATION

| Variants | Description |
|-----------|--|
| F0459-015 | 2.5" Drop Adapter to API, Cam & Groove, Outlet Buna Seal |
| F0459-006 | 3" Drop Adapter to API, Cam & Groove, Outlet Buna Seal |
| F0459-007 | 4" Drop Adapter to API, Cam & Groove, Outlet Buna Seal |
| F0459-030 | 3" Drop Adapter to API, BSPP, Outlet Buna Seal |
| F0459-020 | 4" Drop Adapter to API, BSPP, Outlet Buna Seal |



When specifying API Gravity Drop Adapters for your vehicle the following points should be considered:

- ✓ Outlet Connection size required.
- ✓ Threaded or Surelok™ connection.
- ✓ Quantity required per vehicle.

F0499 – API DUST CAP

FEATURES & BENEFITS



The Emco Wheaton API Dust Caps are made from die cast aluminium and are easy to use. These dust caps are suitable for all API valves manufactured in accordance with API RP1004. They protect the poppet face of the API Adapter, prolongs its life, and adds an additional safety stop point. In countries following the ADR code of practice it is mandatory to fit a third stop valve; the F0499 dust cap is pressure tested to comply with this code.

BENEFITS

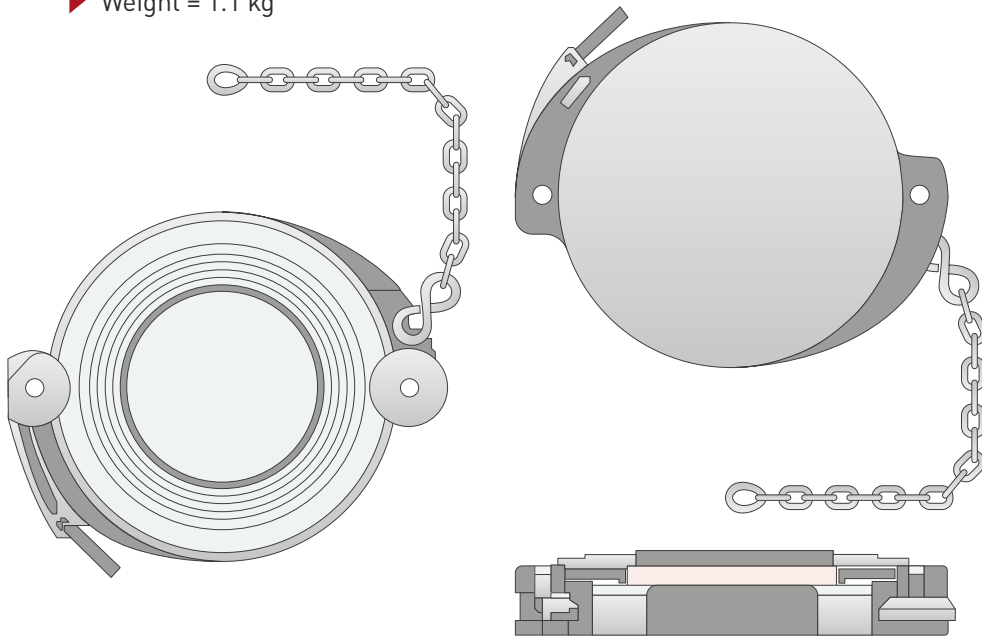
- **Suitable** for all of the Emco Wheaton series of API Adapters.
- **Protects** poppet face of API Adapter and prolongs life of seals.
- **High quality** die cast body and component materials to international standards are used for durability and performance.
- **Radial cam and lug** design for one-handed operation.
- **Compact Glass Filled Nylon** cams reduce wear and eliminate corrosion.
- **Buna** seal fitted as standard.
- **Heavy-duty** stainless steel chain supplied as standard for attachment to API Adapter.
- **Polished** or **Power Coated** options.
- **Seal tag hole** variant for sealed delivery and security is also available.

VARIANTS AND TECHNICAL INFORMATION

F0499

API Dust Cap

▶ Weight = 1.1 kg



ORDERING INFORMATION

| Variants | Description |
|-----------|--|
| F0499-121 | API Dust Cap, Polished Aluminium with (340mm) chain, Buna seals |
| F0499-132 | API Dust Cap, Polished Aluminium with long (19") chain, Buna seals |
| F0499-140 | API Dust Cap, Powder Coated with Chain, Buna seals |



When specifying API Dust Cap's for your vehicle the following points should be considered:

- ✓ Number of compartments per vehicle?
- ✓ Is a polished or painted finish preferred?

F0091 - 4" TTMA FLANGE SIGHT GLASS

FEATURES & BENEFITS



Emco Wheaton can supply an easy-to-fit sight glass, which is simply positioned between the tank pipe flange and the API Adapter or Faucet Valve. The Sight Glass provides a clear view of product presence, flow and product type (by colour identification).

BENEFITS

- **Transparent** and thick section for clear view of product in pipe.
- **Compatible** with petroleum products.
- **Tough** and **durable** made from clear cast annealed Acrylic.
- **4" TTMA flange** available for compatibility.

ORDERING INFORMATION

| Variants | Description |
|----------|---|
| F0091005 | (673026) Sight glass assy, flanged 4" x 1.5" Thick |
| F0091006 | (673027) Sight glass assy, 4" TTMA x 1.5", for use with ethanol |



When specifying 4" TTMA Sight Glasses for your vehicle the following points should be considered:

- ✓ Number per vehicle?
- ✓ Gaskets to support fitting of the sightglass.

03

EMERGENCY VALVES & ACCESSORIES -MECHANICAL AND PNEUMATIC

EMERGENCY VALVES & ACCESSORIES – MECHANICAL AND PNEUMATIC

FEATURES & BENEFITS



The range of Emergency Valves offered by Emco Wheaton have been designed to ensure high flow and durability, whilst being easy to maintain. These reliable flow efficient internal valves are offered with mechanical or pneumatic control, and normal, intermediate, or low profile design to meet the fitment needs of all truck builders the world over. Sequenced operation was introduced into the emergency valves by Emco Wheaton and is now a standard feature of all our pneumatic emergency valves. A robust design and stringent quality control ensures a long and trouble free operational life.

BENEFITS

- High quality die cast body and component materials to **international standards** are used for durability and performance.
- Lightweight aluminium construction for **increased payloads**. (see variant for details)
- High lift poppet for **maximum flow**.
- Hydrodynamic body designs minimises pressure drop to give **high flow rate**.
- Shear groove meets TTMA and NTTC DOT 406 to limit product spillage in the event of an accident.
- Closure by **self-centring plunger** and durable compression spring.
- **Easy seal changes**, without the need to remove valve from the tank, due to removable bonnet assembly.
- Stainless steel cam with bearing boot on plunger stem for **smooth operation and extended life**.
- **Solvent compatible seal variants** available with Stainless Steel trim.
- Victaulic, TW and TTMA flanged variants available.
- Double O-Ring Seals on cam shaft for **improved sealing and ease of maintenance**.
- Nylon Bearing supports camshaft for **extended life**.
- Push Rod Adapter or Eye Bolt available for mechanical vent or top operation.
- Cable guide cast in outlet flange (where applicable).
- Screen **filter fitted as standard** to prevent seal damage
- Removable bonnet assembly enables seal change without removing valve from the tank truck.
- Air cylinder piston assembly designed to be replaced without removing valve from tank pipework (where applicable).
- **Positive open/closed indication** provided by sequenced air cylinders.
- Viton seals are standard for compatibility with high-octane fuels and additives
- Multiple seal variants available, including solvent compatible.
- Component parts common to other valves in our range to **minimise spares inventory**.
- Manual opening device for emergency discharge of cargo.
- Standard sized 6mm air connections.

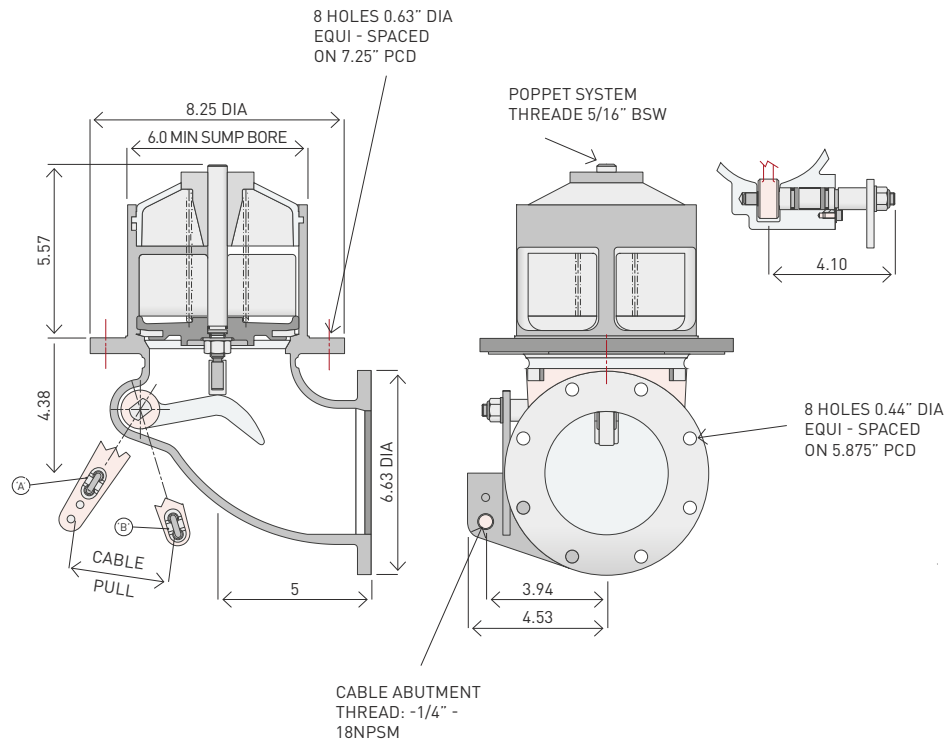
EMERGENCY VALVES & ACCESSORIES – MECHANICAL AND PNEUMATIC

VARIANTS AND TECHNICAL INFORMATION

F7000 - 4"

High Flow Emergency Mechanical Valve

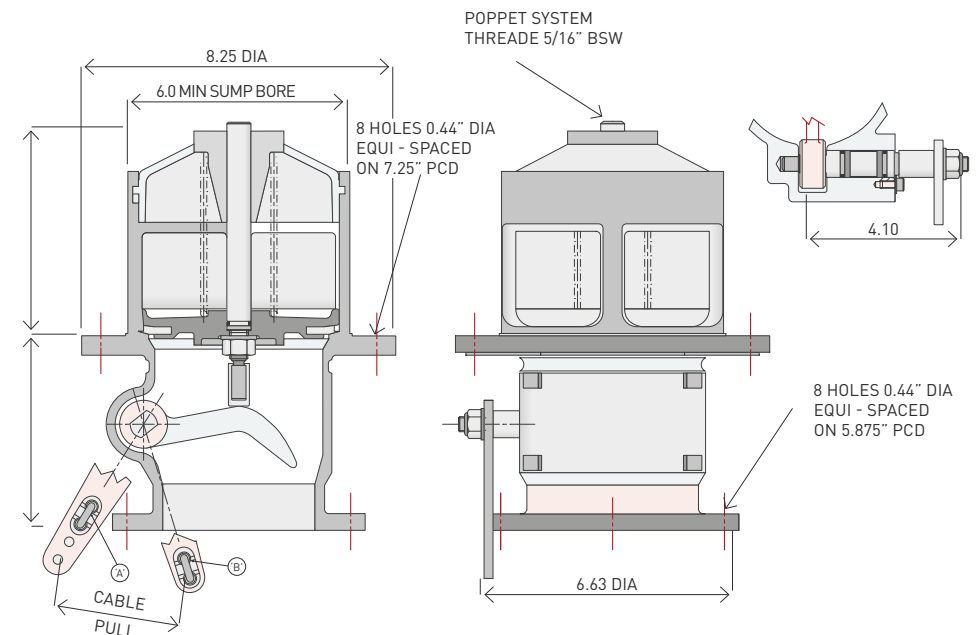
► Weight = 4.7 kg



F7010 - 4"

High Flow Straight Emergency Mechanical Valve

► Weight = 4.24 kg



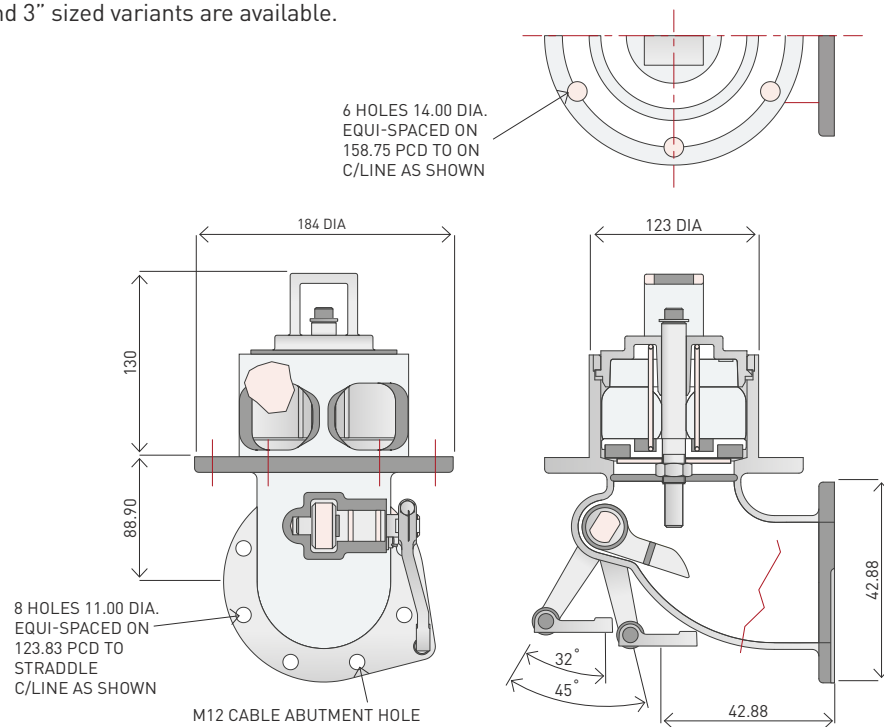
EMERGENCY VALVES & ACCESSORIES – MECHANICAL AND PNEUMATIC

VARIANTS AND TECHNICAL INFORMATION

F0335 – 3”

Mechanical Emergency Valve

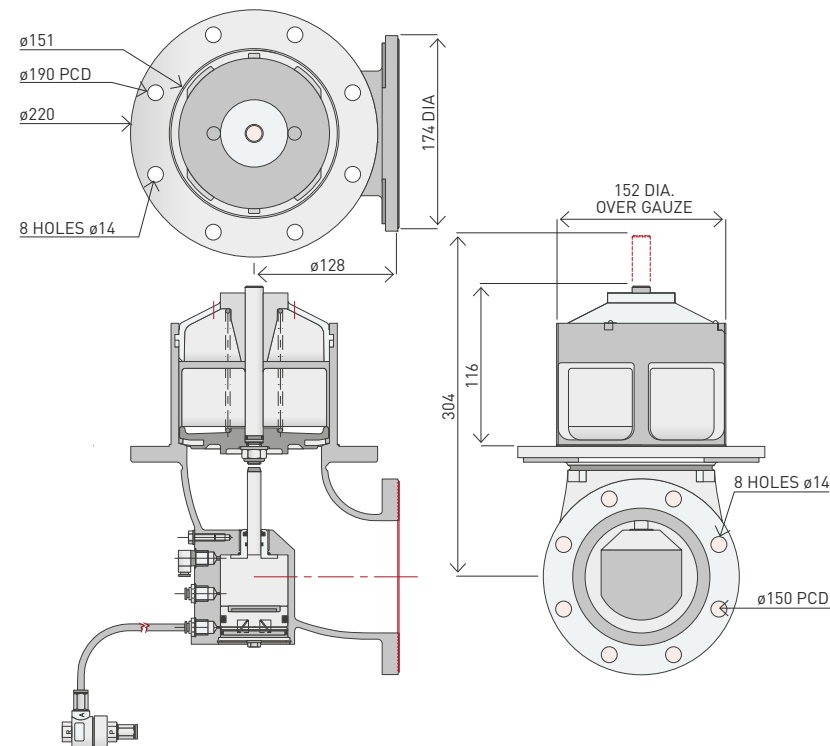
- ▶ Weight = 3.40 kg
- ✓ Manual operation is achieved by using the Emco Wheaton F0019 Bottom Operator Assembly and the F0028 Cable Assembly.
- ✓ Eyebolt included for top operation used in conjunction with the Emco Wheaton F0319 Top Operator Assembly and the F0285 Cable Kit for top operation.
- ✓ 2½” and 3” sized variants are available.



F7023/F7024 – 4”

(DN100) Pneumatic Emergency Valve

- ▶ Weight = 7.85 kg



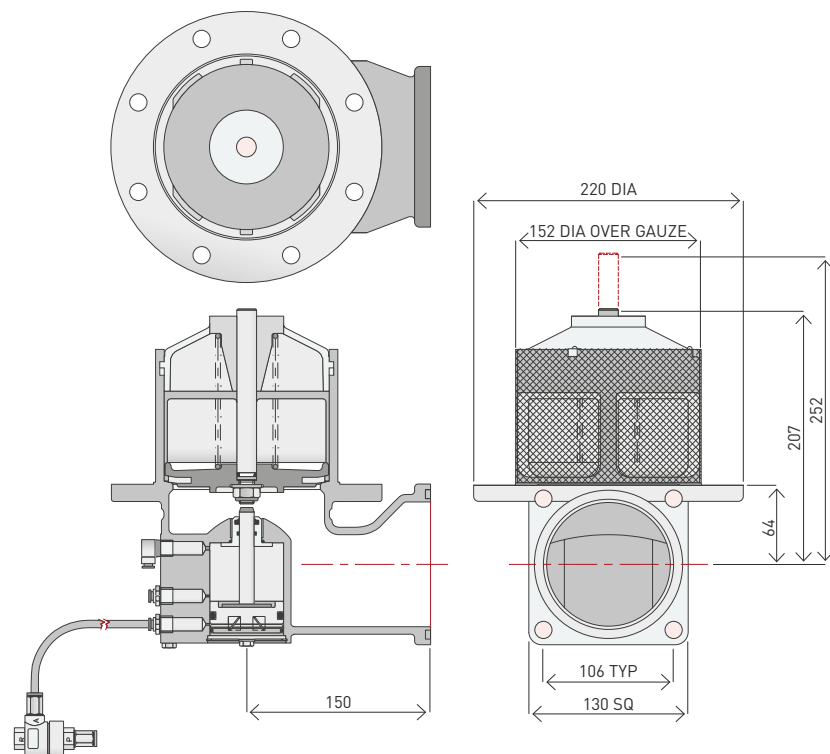
EMERGENCY VALVES & ACCESSORIES – MECHANICAL AND PNEUMATIC

VARIANTS AND TECHNICAL INFORMATION

F7033/F7034 - 4"

(DN100) Intermediate Pneumatic Emergency Valve

▶ Weight = 4.69 kg

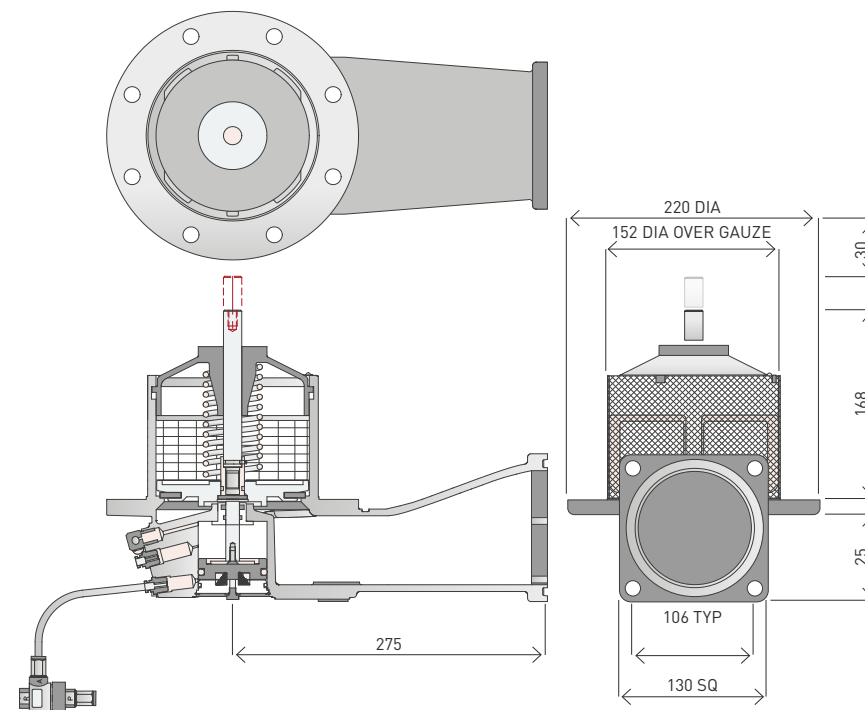


F7043 - 4"

(DN100) Low Profile Pneumatic Emergency Valve

▶ Weight = 5.38 kg

- ✓ Low profile body minimises required fitting space
- ✓ Include a square outlet and flanges to TW standard



EMERGENCY VALVES & ACCESSORIES – MECHANICAL AND PNEUMATIC

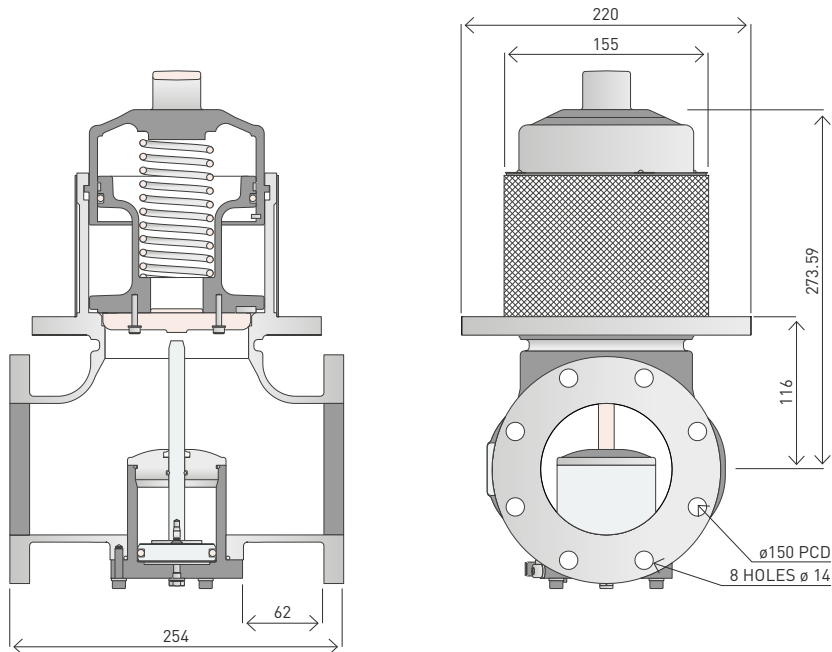
VARIANTS AND TECHNICAL INFORMATION

F7063 - 4"

(DN100) Pneumatic Tee Emergency Valve

▶ Weight = 8.0 kg

✓ Tee Body for two side run off pipes



ORDERING INFORMATION

| Variants | Description |
|-----------|---|
| F7000011 | Emergency Valve, 4" Mechanical, 90° Elbow, TTMA Flange, viton, w/o screen |
| F7000031 | Emergency Valve, 4" Mechanical, 90° Elbow, TTMA Flange, Viton, with screen |
| F7001041 | Emergency Valve, 4" Mechanical, 90° Elbow, Victaulic, Viton, w/o screen |
| F7020221 | Emergency Valve, 4" Pneumatic, 90° Elbow, TTMA Flange, with screen |
| F7023221 | Emergency Valve, 4" Pneumatic, 90° Standard Elbow, TW Flange, with screen |
| F7033221 | Emergency Valve, 4" Pneumatic, 90° Intermediate Elbow, TW Flange, with screen |
| F7043221 | Emergency Valve, 4" Pneumatic, 90° Low Profile Elbow, TW Flange, with screen |
| F7063221 | Emergency Valve, 4" Pneumatic, TW Flange, with screen |
| F7063621 | Emergency Valve, 4" Pneumatic, pressure balanced, TW Flange, with screen |
| F7051204K | Emergency Valve, 3" Pneumatic, 90° Elbow, Victaulic, Viton |
| F0335004 | Emergency Valve, 3" Mechanical, 90° Elbow, TTMA Flange, Viton, with screen |



When specifying Emergency Valves for your vehicle the following points should be considered:

- ✓ Pneumatic equipment to operate the emergency valve.
- ✓ Inlet and outlet flange gaskets to suit the chosen valve.
- ✓ Quantity required per vehicle.
- ✓ Remember to specify the F0019 Bottom Operator and the F0028 Cable Assemblies to suit if selecting a Mechanical Valve.
- ✓ Consider how many compartments are being catered for, and which sealing material is required?

EMERGENCY VALVES & ACCESSORIES – MECHANICAL AND PNEUMATIC

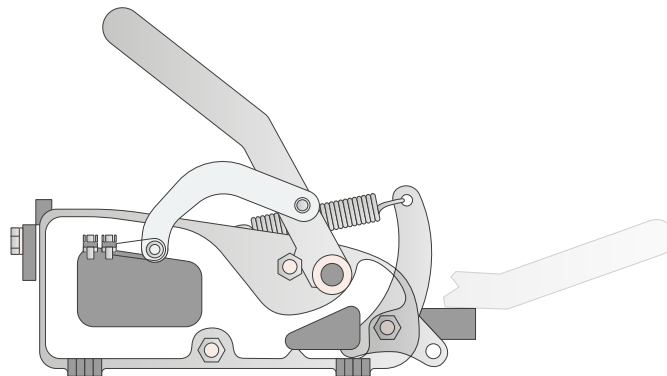
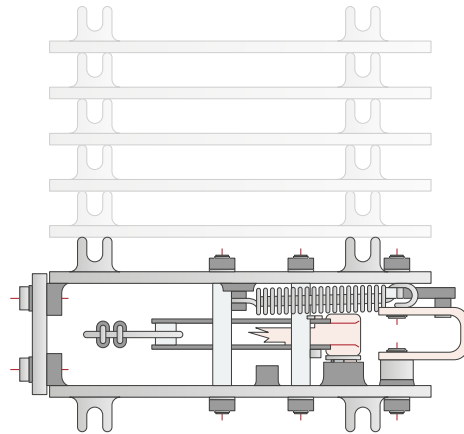
VARIANTS AND TECHNICAL INFORMATION

F0019

Emergency Valve Bottom Operator

► Type / Weight:

- 1 Compartment - 2.7 kg
- 2 Compartments - 3.2 kg
- 3 Compartments - 3.7 kg
- 4 Compartments - 4.2 kg
- 5 Compartments - 4.7 kg
- 6 Compartments - 5.2 kg



BENEFITS

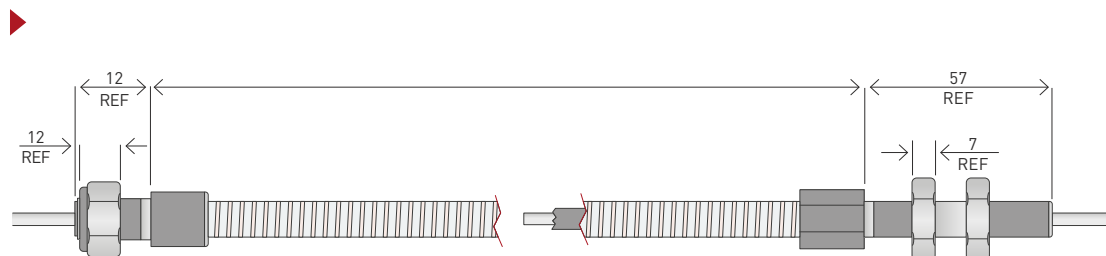
- Fusible link will operate at 120° in the event of a fire.
- Spring-loaded over centre cam design holds the levers in the fully open position and enables one-touch closure in the event of an emergency.
- Lightweight aluminium construction.
- Available for operation of from one to six emergency valves.
- Emergency Valve Bottom Operators should be used in conjunction with the F0028 Cable Assembly, which connects the operator handle to the relevant compartment's emergency valve.

EMERGENCY VALVES & ACCESSORIES – MECHANICAL AND PNEUMATIC

VARIANTS AND TECHNICAL INFORMATION

F0028

Cable Assembly



ORDERING INFORMATION

| Accessories | Description |
|-------------|--|
| SFV1-KIT | Gasket Sequenced Emergency Valve Standard (Gasket sump pad 220 X 160; Gasket TW3-100 I/D Nebar PR; Polythenem Bag 10"x15") |
| SFV1-KIT | Gaskets Kit for Emergency Valves L.P. & INTER'T (Gasket Sump Pad 220 X 160; O'Ring Viton - LP & INT F/VALVE OUTLET) |
| F0019001 | Emergency Valve Mechanical Operator, 1 compartment |
| F0019003 | Emergency Valve Mechanical Operator, 2 compartment |
| F0019005 | Emergency Valve Mechanical Operator, 3 compartment |
| F0019007 | Emergency Valve Mechanical Operator, 4 compartment |
| F0019009 | Emergency Valve Mechanical Operator, 5 compartment |
| F00190011 | Emergency Valve Mechanical Operator, 6 compartment |
| F0028001 | Flexible Cable Assembly, complete (contact for details) |

BENEFITS

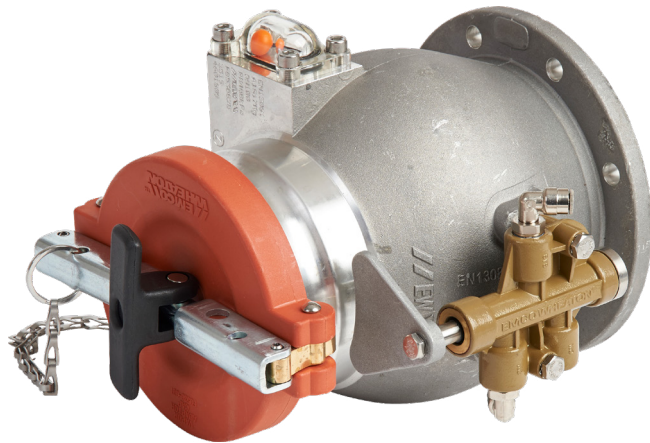
- Heavy-duty stainless steel inner operating cable
- Greased Nylon liner for cable to run smoothly within
- Plastic Coated and steel armoured outer flexible conduit
- Custom lengths of up to 9 metres cut installation time
- Threaded conduit Adapters to enable easy connection to Emergency Valve body and Bottom Operator assembly
- Strong stainless steel cable ends to ensure good strong connections to both the Emergency Valve and the Bottom Operator assembly
- Adjustable stainless steel cable end to deal with cable stretch

04

VAPOUR ADAPTERS & VENT VALVES

FEATURES & BENEFITS

Internationally regarded as the benchmark for quality our range of vapour Adapters and vent valves are designed to minimize pressure drop and maximize the efficiency of the recovery of petroleum vapours during tanker loading and unloading. Our Vapour Recovery Adapters are constructed using lightweight aluminium for increased payload and reduced maintenance and allow for multi-compartment loading at high flow rates. A key component in the vapour recovery system, the vapour transfer vent (VTV), fitted to the Manhole Cover, provides the means to transfer displaced vapours to and from the tanker. Supplied air operated and sequenced with the emergency valve, our Vapour Transfer Vents ensure vapours are transferred safely during the loading and unloading process.



BENEFITS

F0530 - VAPOUR RECOVERY ADAPTER

- High flow capacity and low pressure drop
- Multi-compartment loading at high flow rates with vapour return is possible without exceeding PV vent pressure ratings.
- Sight glass visually alerts personnel of liquid contamination
- Reduced risk of vapour loss
- Viton seals fitted as standard
- Lightweight aluminium construction for increased payloads – 2.91 kg
- Screw plug fitted to drain liquid from Adapter

F0536 - VAPOUR RECOVERY ADAPTER DUST CAP

- Quick release design for single-handed opening
- Heavy-duty chain supplied as standard for attachment to Adapter

- Protects poppet face of Adapter and prolongs life of seal
- Suitable for any 4" Surelok™ Adapters manufactured to Mil-C-27487
- Colour coded orange
- Lockable with padlock or seal. Weight: 0.53 kg

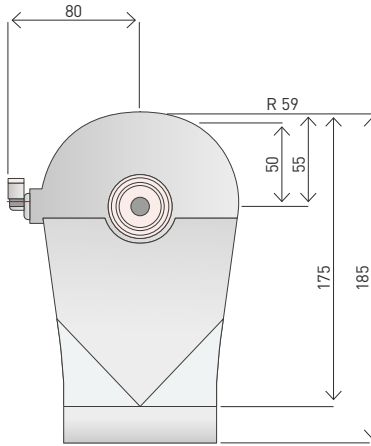
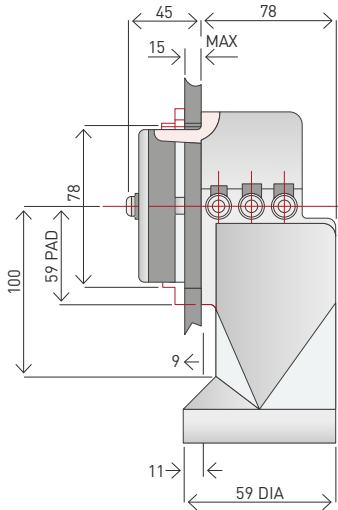
F0567 - AIR INTERLOCK VALVE

- Strong composite body
- Electrically continuous
- Stainless steel operating shaft
- Reversible mounting for different height requirements
- Adjustable button
- Different end buttons are available to suit the application
- Viton or buna seals
- Brass thread inserts for air fittings installation

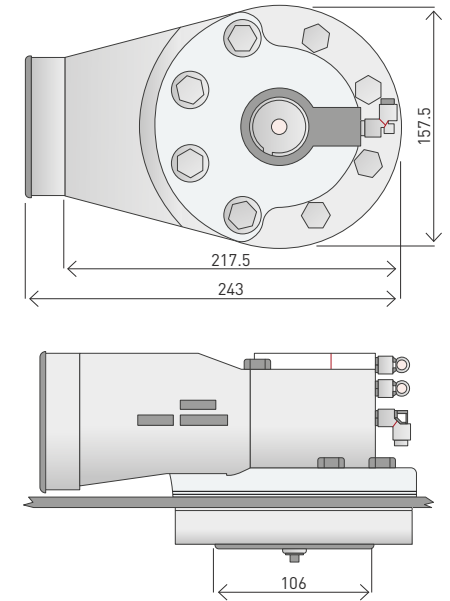
VAPOUR ADAPTERS & VENT VALVES

VARIANTS AND TECHNICAL INFORMATION

F0592-300 series
Threaded Vapour Vent



F0592-100 series
Flanged high Flow Vapour Vent



ORDERING INFORMATION

| Variant | Description |
|----------|---|
| F0592101 | Vapour Vent, Viton, TTMA stud flange, non-sequenced, w/o flame arrester gauze, 1/4" NPT fittings |
| F0592108 | Vapour Vent, Viton, TTMA stud flange, sequenced, flame arrester gauze, 6mm fittings |
| F0592123 | Vapour Vent, Viton, TTMA flange, sequenced, flame arrester gauze, 6mm fittings |
| F0592127 | Vapour Vent, Viton, TTMA flange, sequenced, flame arrester gauze, 6mm fittings, with outlet elbow. Vapour Dump Vent |
| F0592133 | Vapour Vent, Viton, TTMA flange, sequenced, flame arrester gauze, 6mm fittings |
| F0592301 | Vapour Vent, Viton, threaded fitting, non-sequenced, w/o flame arrester gauze, 1/4" NPT fittings |
| F0592311 | Vapour Vent, Viton, threaded fitting, sequenced, flame arrester gauze, 6mm fittings |
| F0592351 | Vapour Vent, Viton, threaded fitting, sequenced, flame arrester gauze, 1/8" BSP fittings |



When specifying vapour vents consider

- ✓ What size of air connections are required 4 mm, 6 mm pif (push in fitting) or 1/4" NPT?
- ✓ Vapour Hose should be ordered separately.

VARIANTS AND TECHNICAL INFORMATION

F0530

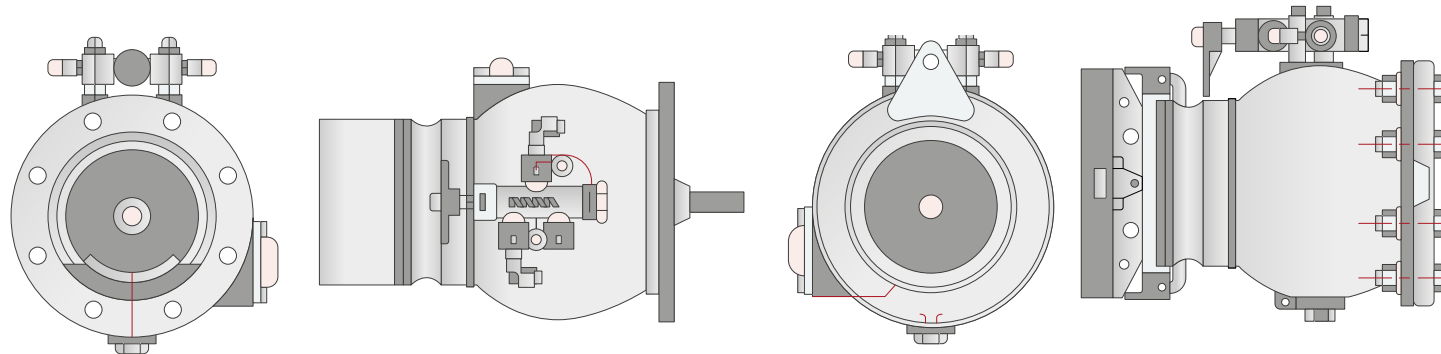
Vapour Recovery Adapter

F0536

Vapour recovery Adapter
dust cap

F0567

Air Interlock Valve



FEATURES & BENEFITS

- Lightweight, compact, high-flow, aerodynamic design
- High quality die cast body
- Low profile body
- Flanged or screw in fitting
- Pneumatic sequenced or non-sequenced operation variants available
- Unique piston design for maximised flow rate and low-pressure drop
- Poppet prevents surge pressure leakage and loss of product in the event of a tank roll-over
- Tapered seat design with viton O-ring ensures leak tight seal
- Meets international standards for durability and performance
- Stainless steel internal components for increased corrosion resistance
- Backnut with lock screw for security
- Air connections are 4mm or 6mm push in or 1/4" NPT
- Available with flame retardant stainless steel gauze
- Tested and certified to EN13082: 2001. Test pressure = 5

ORDERING INFORMATION

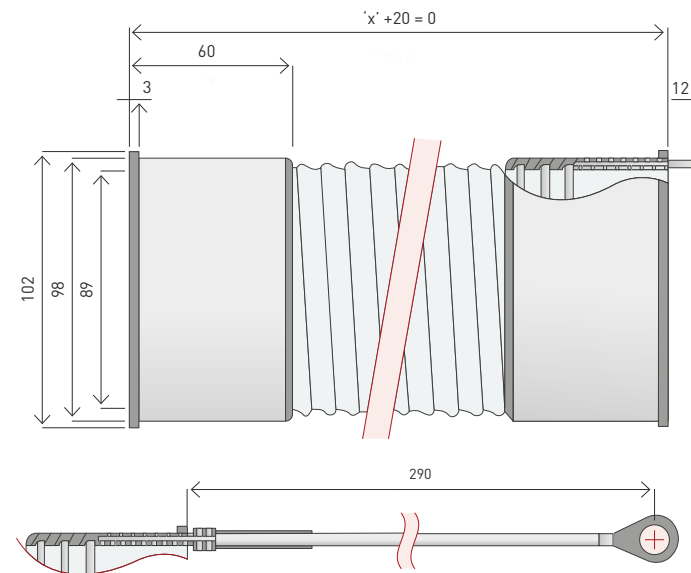
| Variant | Description |
|----------|---|
| F0529001 | 4" Vapour Adapter Valve |
| F0529031 | 3" BSPP Vapour Adapter, viton |
| F0530010 | 4" Vapour Adapter, TTMA flange, gasket |
| F0530014 | 4" Vapour Adapter, TTMA flange |
| F0530020 | 4" Vapour Adapter, TTMA flange, dust cap, air interlock |
| F0536001 | Dust cap with Chain, for all 4" adapters |

H7061 – VAPOUR TRANSFER VENT DUCTING

FEATURES & BENEFITS



Durable moulded ducting hose for fitting to Emco Wheaton vapour transfer vent valves. Connects compartment vapour vent valves to vapour return spigot/manifold/coaming. Includes earth bonding wires for controlling static electricity. Available in 3 lengths.



ORDERING INFORMATION

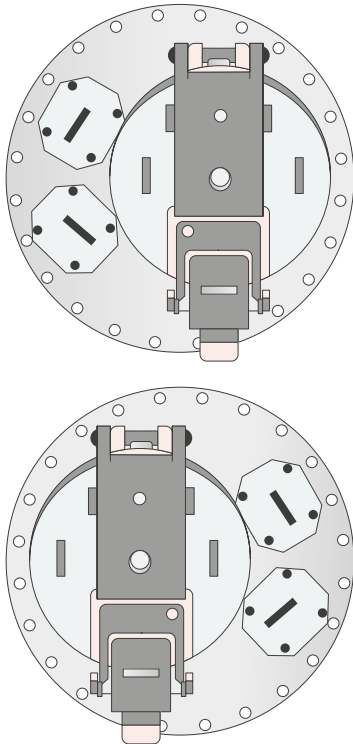
| Variants | Description |
|--------------|---|
| H7061000002 | Ducting 89mm Internal Diameter x 395mm Long, with earth leads |
| H70611000002 | Ducting 89mm Internal Diameter x 305mm Long, with earth leads |
| H70612000002 | Ducting 89mm Internal Diameter x 180mm Long, with earth leads |

05

MANHOLE COVERS & ACCESSORIES

Our range of Manhole covers and accessories have been specifically designed for the transportation of hazardous chemicals, liquid and gas fuels.

FEATURES & BENEFITS



Our technology sets the standards for safety and efficiency with all covers feature secure and stable spring-loaded fill caps which provides fire engulfment venting in the event of the tank being exposed to a fire, and our steel cover arms exceed the Australian DROP test standard. Internationally accepted, and specified, by oil companies around the world to assist with the safe conveyance of petroleum-based products, the Emco Wheaton range of manhole covers offers unrivalled safety features and operational benefits.

ORIENTATION OF MANHOLE COVERS

All Emco Wheaton manhole covers, except the F0339 oval manhole cover, can be supplied as left-hand or right-hand configuration. This enables ancillary items, such as HLCO, dip tube or mechanical top operator, to be positioned on the tanker centre line. If the ancillary ports are to the left of the fill cap, the manhole cover is designated as left-hand. If the ancillary ports are to the right of the fill cap, the manhole cover is designated as righthand.

The hinge pin should always face the front of the tanker to ensure that the manhole cover falls shut in the event of a tanker driving away with the manlid open. This will ensure that the manhole cover will close to the first latch position.

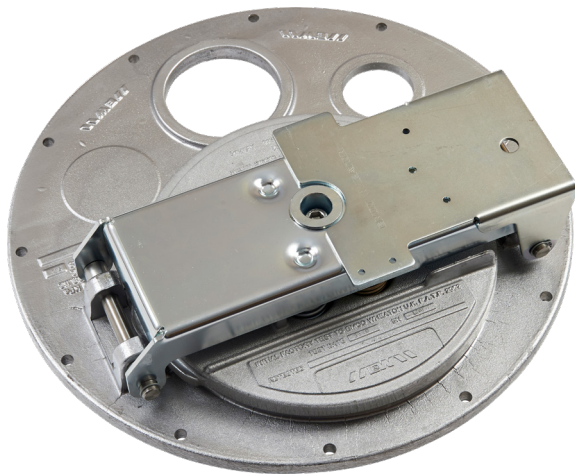
BENEFITS

ALL EMCO WHEATON MANHOLE COVERS HAVE THE FOLLOWING FEATURES

- Two-stage opening allows safe release of residual compartment pressure before fully opening the fill cap.
- Pressure and vacuum vent fitted as standard for tank breathing. Various ratings are available to suit operational requirements.
- Automatic sealing in roll over situation prevents leakage
- 250mm (10") for easy drop pipe insertion when top loading is required

F0355 – 16" MANHOLE COVER

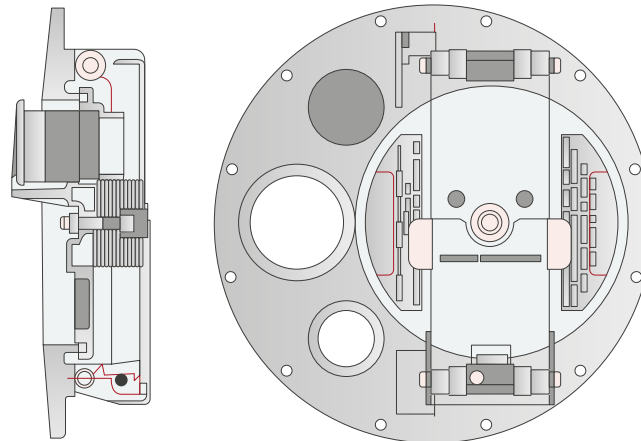
FEATURES & BENEFITS



F0355 – 16" Manhole Cover



- ✓ To suit 405mm manhole neckring
- ✓ Baseplate Diameter 455mm
- ✓ Baseplate Bolt Centre Diameter 432mm
- ✓ 12 and 24 bolt holes, M8

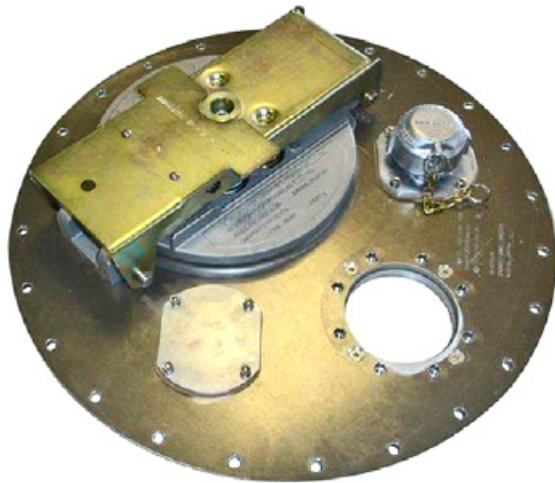


BENEFITS

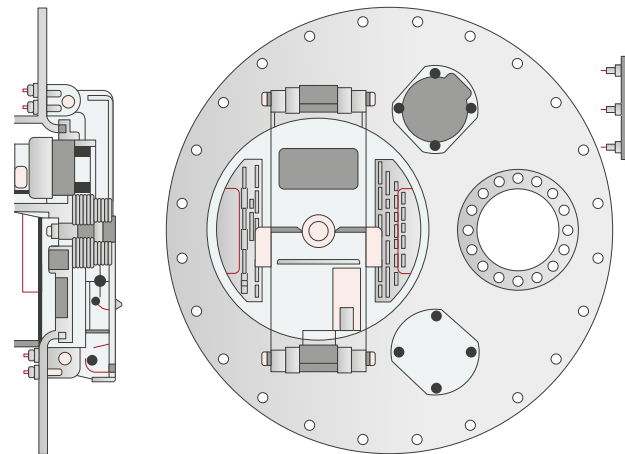
- Includes accessory ports; TW flange for the vapour transfer vent ; hole flanges for an additional P/V vent; dip tube; emergency unload Adapter or electronic HL sensor
- Lightweight, aluminium baseplate helps to increase payloads.
- Spring-loaded cap provides emergency fire engulfment venting to NTTC DOT 406
- Steel cover arm exceeds Australian DROP tests (AS 2809-2-1990).
- Secure 12 and 24 bolt fixing variants

F0512-500 SERIES – 20" MANHOLE COVER PRESSED ALUMINIUM PLATE

FEATURES & BENEFITS



F0512-500 Series – 20"
Manhole Cover
Pressed Aluminium Plate

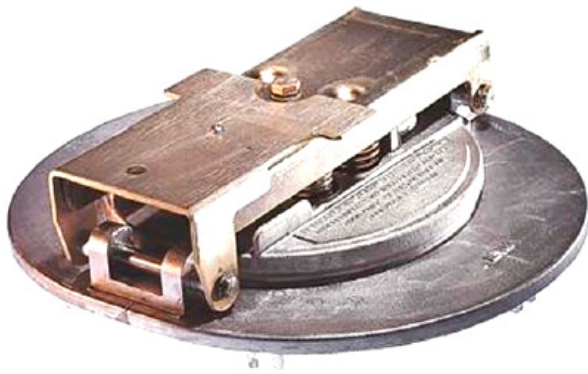


BENEFITS

- Includes accessory ports; TW flange for the vapour transfer vent ; hole flanges for an additional P/V vent; dip tube; emergency unload Adapter or electronic HL sensor
- Lightweight aluminium pressed base-plate.
- Safety features include a spring-loaded fill cap that provides emergency fire engulfment venting and anti-leak blind bolt holes to assist with hydro tests.
- Spring-loaded cap provides emergency fire engulfment venting to NTTC DOT 406
- 250mm (10") for easy drop pipe insertion when top loading
- Base-plate material complies with EN13094 design and construction of metallic tanks
- Available with key lock
- Left-hand and right-hand variants available

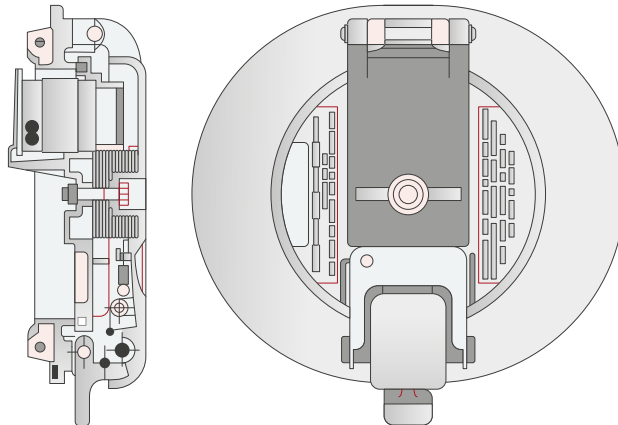
F0512-500 SERIES – 20" MANHOLE COVER PRESSED ALUMINIUM PLATE

FEATURES & BENEFITS



F0339 – 16" x 14" Oval Manhole Cover

- ▶
- ✓ To suit 500mm manhole neckring
- ✓ Baseplate Diameter 560mm
- ✓ Baseplate bolt centre diameter 530mm
- ✓ 24 bolt holes, M8



BENEFITS

- Specifically designed for tankers in which there is limited space available
- This includes a self-aligning seal, pressure and vacuum vent fitted as standard, emergency venting capacity of 7000 m³/h of air at 350 mb.
- Spring-loaded cap provides emergency fire engulfment venting to NTTC DOT 406 standard
- Steel cover arm exceeds Australian DROP tests (AS 2809-2-1990).
- Lightweight aluminium baseplate for increased payloads
- Secure tamperproof internal eyebolt and lug fixing.

ORDERING INFORMATION

| Variant | Description |
|-----------|---|
| F0339054 | Manlid, Oval 440 x 384 (16" x 14"), 210mb, flame arrest PV vent |
| F0355003 | Manlid, 16" LH assy, 210mb, 70/20 PV vent |
| F0355331 | Manlid, 16" LH assy, 701/20 PV vent |
| F0355904 | Manlid, 16" RH assy, 210mb 70/20 PV vent, 130deg opening |
| F0512535 | Manlid, 20" LH assy, 250mb ALI PV 100/20 PV vent |
| F0512536 | Manlid, 20" RH assy, 250mb ALI PV 100/20 PV vent |
| F0512549 | Manlid, 20" RH, 250mb |
| F0512549L | Manlid, 20" LH assy, 250mb with LOCK |
| F0512596 | Manlid, 20" RH assy, 300mbar, 70/20 PV vent |

QUICK REFERENCE LISTING

API ADAPTERS

| Variant | Description |
|------------|--|
| F5000-001 | API Adapter, one-piece body, Viton, Non Openable (loading only) |
| F5000-002 | API Adapter, one-piece body, Teflon, Non Openable (loading only) |
| F5000-003 | API Adapter, one-piece body, Buna, Non Openable (loading only) |
| F5001-001 | API Adapter, one-piece body, Viton, Openable, without sight glass |
| F5001-002 | API Adapter, one-piece body, Teflon, Openable, without sight glass |
| F5002-001 | API Adapter, one-piece body, Viton, Openable, sight glass, |
| F5002-001S | API Adapter, one-piece body, Viton, Openable, anti-tamper sight glass, |
| F5002-002 | API Adapter, one-piece body, Ptfе Openable, sight glass, |

GRAVITY DROP API ADAPTER

| Variant | Description |
|-----------|--|
| F0459-015 | 2.5" Drop Adapter to API, Cam & Groove, Outlet Buna Seal |
| F0459-006 | 3" Drop Adapter to API, Cam & Groove, Outlet Buna Seal |
| F0459-007 | 4" Drop Adapter to API, Cam & Groove, Outlet Buna Seal |
| F0459-030 | 3" Drop Adapter to API, BSPP, Outlet Buna Seal |
| F0459-020 | 4" Drop Adapter to API, BSPP, Outlet Buna Seal |

API DUST CAPS

| Variant | Description |
|-----------|--|
| F0499-121 | API Dust Cap, Polished Aluminium with (340mm) chain, Buna seals |
| F0499-132 | API Dust Cap, Polished Aluminium with long (19") chain, Buna seals |
| F0499-140 | API Dust Cap, Powder Coated with Chain, Buna seals |

TTMA SIGHT GLASS

| Variant | Description |
|----------|---|
| F0091005 | (673026) Sight glass assy, flanged 4" x 1.5" Thick |
| F0091006 | (673027) Sight glass assy, 4" TTMA x 1.5", for use with ethanol |

EMERGENCY/FOOT VALVE

| Variant | Description |
|-----------|---|
| F7000011 | Emergency Valve, 4" Mechanical, 900 Elbow, TTMA Flange, viton, w/o screen |
| F7000031 | Emergency Valve, 4" Mechanical, 900 Elbow, TTMA Flange, Viton, with screen |
| F7001041 | Emergency Valve, 4" Mechanical, 90° Elbow, Victaulic, Viton, w/o screen |
| F7020221 | Emergency Valve, 4" Pneumatic, 90° Elbow, TTMA Flange, with screen |
| F7023221 | Emergency Valve, 4" Pneumatic, 90° Standard Elbow, TW Flange, with screen |
| F7033221 | Emergency Valve, 4" Pneumatic, 90° Intermediate Elbow, TW Flange, with screen |
| F7043221 | Emergency Valve, 4" Pneumatic, 90° Low Profile Elbow, TW Flange, with screen |
| F7063221 | Emergency Valve, 4" Pneumatic, TW Flange, with screen |
| F7063621 | Emergency Valve, 4" Pneumatic, pressure balanced, TW Flange, with screen |
| F7051204K | Emergency Valve, 3" Pneumatic, 90° Elbow, Victaulic, Viton |
| F0335004 | Emergency Valve, 3" Mechanical, 900 Elbow, TTMA Flange, Viton, with screen |

EMCO WHEATON - TANK TRUCK MECHANICAL EQUIPMENT

QUICK REFERENCE LISTING

MECHANICAL OPERATORS

| Variant | Description |
|-----------|--|
| SFV1-KIT | Gasket Sequenced Emergency Valve Standard (Gasket sump Pad 220 X 160; Gasket TW3-100 I/D Nebar PR; Polythenem Bag 10"x15") |
| SFV1-KIT | Gaskets Kit for Emergency Valves L.P. & INTER'T (Gasket Sump Pad 220 X 160; O'Ring Viton - LP & INT F/VALVE OUTLET) |
| F0019001 | Emergency Valve Mechanical Operator, 1 compartment |
| F0019003 | Emergency Valve Mechanical Operator, 2 compartment |
| F0019005 | Emergency Valve Mechanical Operator, 3 compartment |
| F0019007 | Emergency Valve Mechanical Operator, 4 compartment |
| F0019009 | Emergency Valve Mechanical Operator, 5 compartment |
| F00190011 | Emergency Valve Mechanical Operator, 6 compartment |
| F0028001 | Flexible Cable Assembly, complete (contact for details) |

VENT VALVES

| Variant | Description |
|----------|---|
| F0592101 | Vapour Vent, Viton, TTMA stud flange, non-sequenced, w/o flame arrester gauze, 1/4" NPT fittings |
| F0592108 | Vapour Vent, Viton, TTMA stud flange, sequenced, flame arrester gauze, 6mm fittings |
| F0592123 | Vapour Vent, Viton, TTMA flange, sequenced, flame arrester gauze, 6mm fittings |
| F0592127 | Vapour Vent, Viton, TTMA flange, sequenced, flame arrester gauze, 6mm fittings, with outlet elbow. Vapour Dump Vent |
| F0592133 | Vapour Vent, Viton, TTMA flange, sequenced, flame arrester gauze, 6mm fittings |
| F0592301 | Vapour Vent, Viton, threaded fitting, non-sequenced, w/o flame arrester gauze, 1/4" NPT fittings |
| F0592311 | Vapour Vent, Viton, threaded fitting, sequenced, flame arrester gauze, 6mm fittings |
| F0592351 | Vapour Vent, Viton, threaded fitting, sequenced, flame arrester gauze, 1/8" BSP fittings |

QUICK REFERENCE LISTING

VAPOUR ADAPTERS

| Variant | Description |
|----------|---|
| F0529001 | 4" Vapour Adapter Valve |
| F0529031 | 3" BSPP Vapour Adapter, viton, |
| F0530010 | 4" Vapour Adapter, TTMA flange, gasket |
| F0530014 | 4" Vapour Adapter, TTMA flange |
| F0530020 | 4" Vapour Adapter, TTMA flange, dust cap, air interlock |
| F0536001 | Dust cap with Chain, for all 4" adapters |


VENT DUCTING

| Variant | Description |
|--------------|---|
| H7061000002 | Ducting 89mm Internal Diameter x 395mm Long, with earth leads |
| H70611000002 | Ducting 89mm Internal Diameter x 305mm Long, with earth leads |
| H70612000002 | Ducting 89mm Internal Diameter x 180mm Long, with earth leads |

MANLIDS

| Variant | Description |
|-----------|---|
| F0339054 | Manlid, Oval 440 x 384 (16" x 14"), 210mb, flame arrest PV vent |
| F0355003 | Manlid, 16" LH assy, 210mb, 70/20 PV vent |
| F0355331 | Manlid, 16" LH assy, 701/20 PV vent |
| F0355904 | Manlid, 16" RH assy, 210mb 70/20 PV vent, 130deg opening |
| F0512535 | Manlid, 20" LH assy, 250mb ALI PV 100/20 PV vent |
| F0512536 | Manlid, 20" RH assy, 250mb ALI PV 100/20 PV vent |
| F0512549 | Manlid, 20" RH, 250mb |
| F0512549L | Manlid, 20" LH assy, 250mb with LOCK |
| F0512596 | Manlid, 20" RH assy, 300mbar, 70/20 PV vent |

REQUEST A QUOTE

 44 (0)1843 221521

 www.emcowheaton.com

Manufacturing facilities

Emco Wheaton

Channel Road,
Westwood Industrial Estate,
Margate,
Kent,
CT9 4JR UK
Phone +44 (0)1843 221521
Fax +44 (0)1843 295444

Emco Wheaton GmbH

Emcostraße 2-4,
35274,
Kirchhain,
Germany
Phone +49 6422 84-0
Fax +49 6422 5100

Emco Wheaton USA, Inc.

9111 Jackrabbit Road,
Houston,
77095
USA
Phone +1 281 856-1300
Fax +1 281 856-1325

Sales office

Emco Wheaton

Channel Road,
Westwood Industrial Estate,
Margate,
Kent,
CT9 4JR UK
Phone +44 (0)1843 221521
Fax +44 (0)1843 295444

Emco Wheaton GmbH

Emcostraße 2-4,
35274,
Kirchhain,
Germany
Phone +49 6422 84-0
Fax +49 6422 5100

Emco Wheaton USA, Inc.

9111 Jackrabbit Road,
Houston,
Texas,
77095
USA
Phone +1 281 856-1300
Fax +1 281 856-1325

Gardner Denver France

Emco Wheaton
ZA du Château d'eau,
70 avenue Albert Einstein
77551 Moissy-Cramayel Cedex
Phone +33 (0)6 72 93 40 98

Gardner Denver Austria GmbH

Emco Wheaton
Hofherr-Schranz-Gasse 4
1210 Wien,
Austria
Phone +43 (1) 2701199-35
Fax +43 (1) 2701199-11

Emco Wheaton GmbH

Presnenskaya emb. 10
Block C – Embankment Tower – of. 526
123317 Moscow
Russia
Phone +7 495 9677612
Fax +7 495 9677600

Emco Wheaton Asia Pacific

21-5F IOI Business Park, Bandar Puchong
Jaya,
Puchong, 47170,
Selangor, Malaysia
Phone +603 8075 7500
Fax +603 8075 4100

Gardner Denver International Ltd

PO Box 30804
Diraz, Manama
Bahrain
Phone +973 17813187
Fax +973 17813186