

High Volume Swivels



Husky

GENERAL FUELING PRODUCTS

9-7

SWIVELS

For truck and high volume fueling.

All Husky® Multi-Plane Swivels

- Compatible with diesel fuels and Ethanol blends through E10.
- Compact and light weight for easy handling.
- High flow rates due to laminar flow design.
- High strength step shoulder bearing diameters and impact absorbing stops.
- Double o-ring seals at each swivel provide long life at low temperatures (-40° F/C).

Husky® High Volume Multi-Plane Swivels

- Multi-Plane, full 360° spherical rotation for easy movement of nozzle.

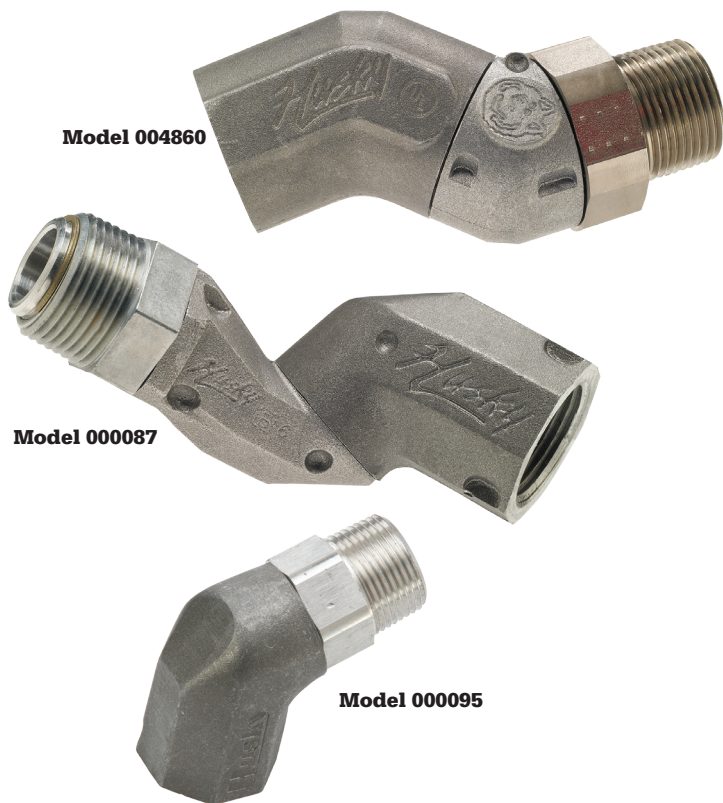
- For use with high flow nozzles with flow rates up to 100 gpm/ 378 Lpm.
- Raised stainless steel ball bearings provide easy joint movement, greatly improving ease of swivel when used on higher pressure systems.
- 75% less back pressure.

Husky® Multi-Plane Restricted Swivels

- Multi-Plane, 210° spherical rotation at the swivel nut.

Warm Weather Swivels

- Multi-Plane, full 360° spherical rotation for easy movement of nozzle.
- Double o-ring seals at each swivel provide long life at high temperatures (482° F / 250° C).



NPT

MODEL NO.	DESCRIPTION	SHIPPING WEIGHT LBS (KG)
000087	1" M x 1" F Swivel	.96 (.43)
000087W	1" M x 1" F Swivel with Warm Weather Seals	.96 (.43)
004860	1" M x 1" F High Flow Swivel	1.4 (.63)
000095	1" M x 1" F 70° Pump Swivel	.76 (.34)
003395	1" M x 1" F Restricted Swivel	.93 (.42)

BSPP

MODEL NO.	DESCRIPTION	SHIPPING WEIGHT LBS (KG)
003306	1" M x 1" F Swivel	1.1 (.49)
003306A*	1" M x 1" F Swivel - Atex	1.1 (.49)
003306W	1" M x 1" F Swivel with Warm Weather Seals	1.1 (.49)
006949	1" M x 1" F High Flow Swivel	1.1 (.49)
006949A*	1" M x 1" F High Flow Swivel - Atex	1.1 (.49)
007254	1" M x 1" F Restricted Swivel	.93 (.42)

BSPT

MODEL NO.	DESCRIPTION	SHIPPING WEIGHT LBS (KG)
001670	1" M x 1" F Swivel	.93 (.42)

CONSTRUCTION

STANDARD

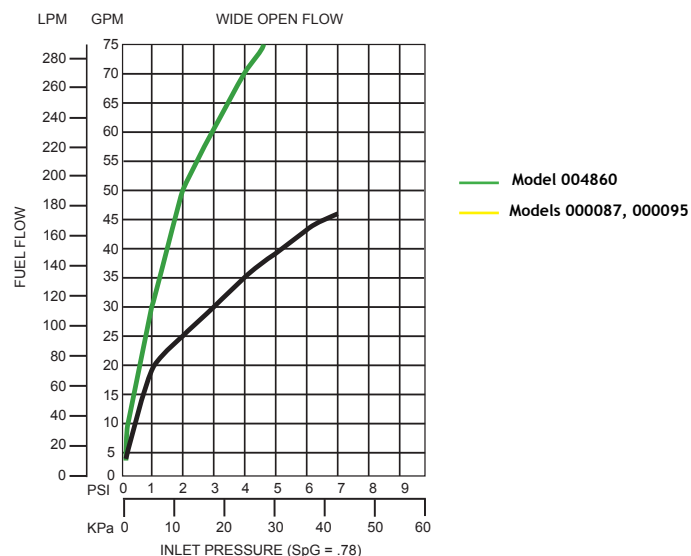
Body	High Aluminum Zinc Alloy
Inner O-ring	Fluorosilicone
Outer O-ring	Fluorocarbon

WARM WEATHER

Body	High Aluminum Zinc Alloy
Inner O-ring	Fluorocarbon
Outer O-ring	Fluorocarbon

HIGH VOLUME

Body	Aluminum, Zinc and Zinc Plated Steel
Inner O-ring	Fluorosilicone
Outer O-ring	Fluorocarbon



II 1 G
EN13617-4

**Husky**

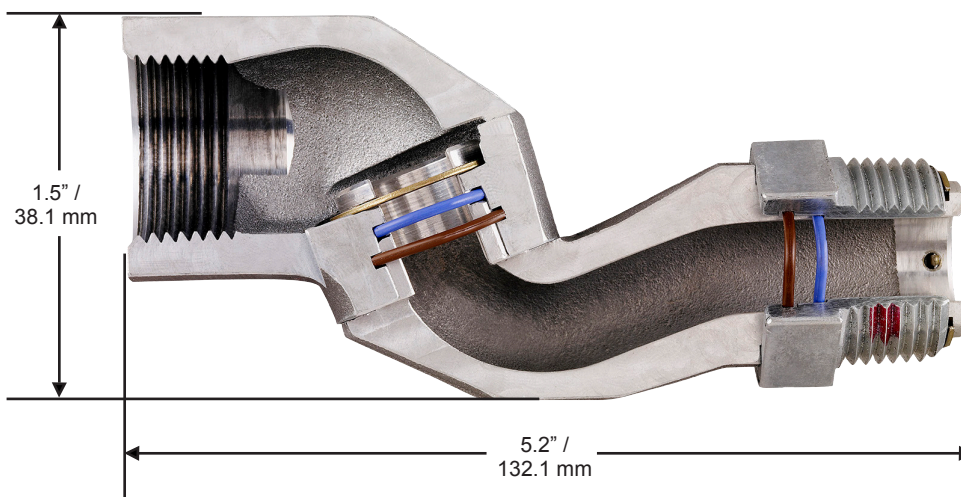
GENERAL FUELING PRODUCTS

High Volume Swivels

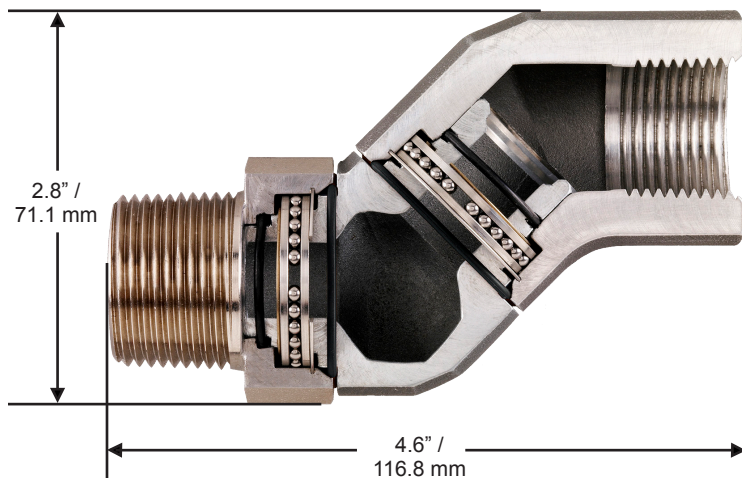
For truck and high volume fueling.

Dimensions

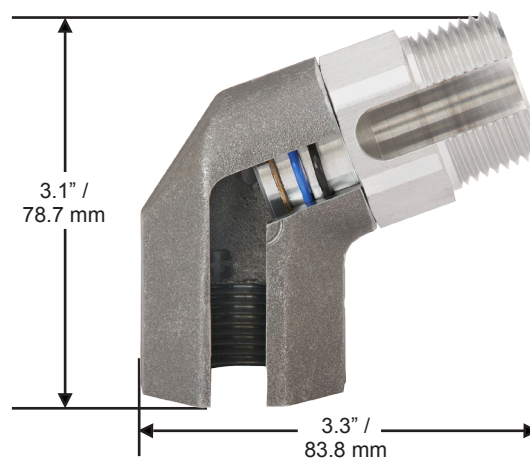
Model 000087, 000087W, 003306, 003395 and 007254



Model 004860 and 006949



Model 000095



2325 Husky Way • Pacific, MO 63069
 (800) 325-3558 • Fax (636) 825-7300
www.husky.com • sales@husky.com

MADE IN THE U.S.A. 