



BETTY 60-65



BETTY X



BETTYNOX

PERFORMANCE RANGE

- Flow rate up to **50 l/min** (3 m³/h)
- Head up to **55 m**

APPLICATION LIMITS

- Manometric suction lift up to **9 m**
- Ambient temperature up to **+40 °C**
- Max. working pressure **6 bar**
- Continuous service **S1**

PERFORMANCE AND CONSTRUCTION CHARACTERISTICS

MODEL	PUMP	Q	H
		l/min	metres
BETTY 60	PKSm 60	5÷40	38÷5
BETTY 65	PKSm 65	5÷50	50÷8
BETTY 1X	JSWm 1CX	5÷50	32÷13
BETTY 2X	JSWm 1BX	5÷50	36÷15
BETTY 3X	JSWm 1AX	5÷50	42÷19
BETTYNOX 1	JCRm 1C	5÷50	32÷13
BETTYNOX 2	JCRm 1B	5÷50	36÷15
BETTYNOX 3	JCRm 1A	5÷50	42÷19

- ➔ The **BETTY** series portable pumps come complete with:
- a handle
 - **Ø 20 mm** hose attachments
 - **1.5 m** long power cable with Schuko plug

CONSTRUCTION AND SAFETY STANDARDS

EN 60335-1
IEC 60335-1
CEI 61-150



CERTIFICATIONS



INSTALLATION AND USE

Suitable for use in gardening, horticultural, cleaning and hobby activities, they are suitable for use with any liquid that is compatible with the materials from which they are made.

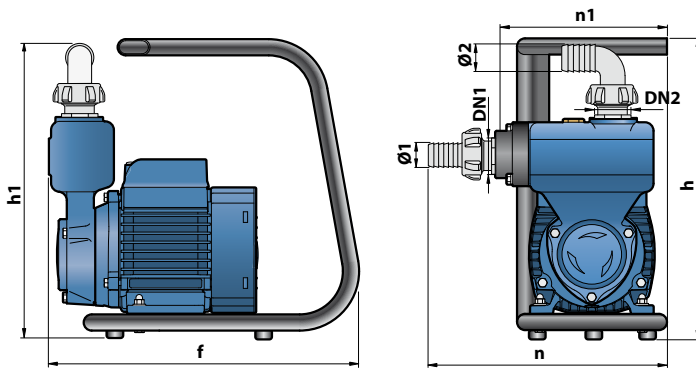
OPTIONALS AVAILABLE ON REQUEST

- Other voltages or 60 Hz frequency

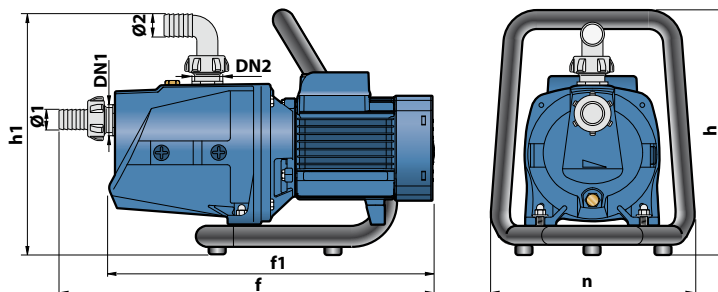
GUARANTEE

2 years subject to terms and conditions

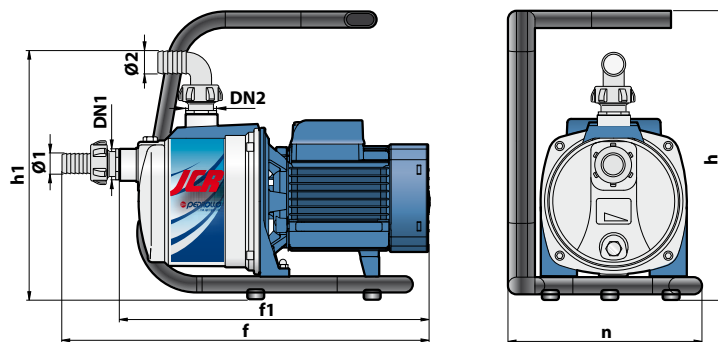
DIMENSIONS AND WEIGHT



MODEL	PORTS		DIMENSIONS mm							kg
	DN1	DN2	Ø1	Ø2	f	h	h1	n	n1	
Single-phase										
BETTY 60	1"	1"	20	20	270	273	267	220	160	7.9
BETTY 65										9.5



MODEL	PORTS		DIMENSIONS mm							kg
	DN1	DN2	Ø1	Ø2	f	f1	h	h1	n	
Single-phase										
BETTY 1X										10.0
BETTY 2X	1"	1"	20	20	433	373	260	255	230	10.7
BETTY 3X										10.9



MODEL	PORTS		DIMENSIONS mm							kg
	DN1	DN2	Ø1	Ø2	f	f1	h	h1	n	
Single-phase										
BETTYNOX 1					405	345	270	260	198	7.9
BETTYNOX 2	1"	1"	20	20						8.0
BETTYNOX 3					413	353				9.2

PALLETIZATION

MODEL	GROUPAGE			CONTAINER		
	n° pumps	H (mm)	kg 1~	n° pumps	H (mm)	kg 1~
Single-phase						
BETTY 60	30	1265	254	50	2015	412
BETTY 65	30	1265	302	50	2015	492
BETTY 1X	30	1265	317	50	2015	517
BETTY 2X	30	1265	338	50	2015	552
BETTY 3X	30	1265	344	50	2015	562
BETTYNOX 1	30	1265	254	50	2015	412
BETTYNOX 2	30	1265	257	50	2015	417
BETTYNOX 3	30	1265	293	50	2015	477

