

Vertical Filter/Separator Vessels

EI 1581 6th Edition Qualified VV Series

Compact Filter/Separator Vessels for Fixed Installations



Parker Velcon at London Heathrow T5

FEATURES

- Compact Design
- Code Qualification
- Simplified Maintenance
- Field Proven Performance

DESCRIPTION

Compact VV Series Filter/Separators comply fully with EI 1581, Sixth Edition, requirements for Category C equipment. Units are designed for ease of maintenance with one piece threaded base "C5" Series Coalescer Elements and reusable one-piece PTFE coated screen "V5" Series Separator Elements.

SPECIFICATIONS

- 150 PSI ASME Code
- RF Flanged Connections
- Swing Bolted Closure
- Buna-N O-ring Cover Seal
- EI-1596 Epoxy Coated Interior, Primer Exterior
- 3% positive sloped deck plates or manifolds to facilitate drainage
- Meets EI1596 and EI1541 construction requirements

RECOMMENDED ACCESSORIES

The following accessories are recommended for safe, effective operation at all installations.

- Automatic Air Vent
- Pressure Relief Valve
- Differential Pressure Gauge
- Sampling Probes
- Interface Control
- ASME Code Stamp
- Water Slug Control Valve
- Manual Drain Valve

OTHER ACCESSORIES AVAILABLE

- Sump Heater
- Sight Glass

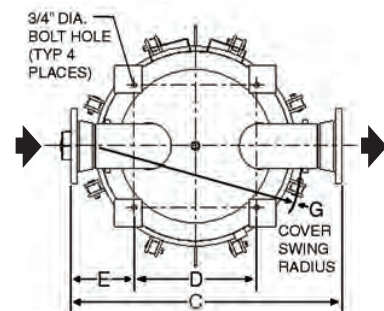
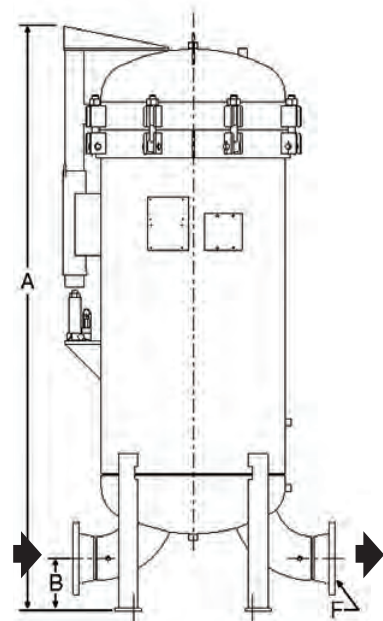
CARTRIDGE SELECTION

Model	Jet Fuel Flow Rates (USGPM)	Coalescer Elements		Separator Elements	
		Qty	Model	Qty	Model
VV1222 ⁽¹⁾	50	1	I-622C5TB	1	SO-318V5
VV1522	100	2	I-622C5TB	1	SO-623VA5
VV1533 ⁽¹⁾	160	2	I-633C5TB	1	SO-629VA5
VV2028	200	3	I-628C5TB	1	SO-630V5
VV2328	340	5	I-628C5TB	2	SO-630PV5
VV2333	400	5	I-633C5TB	2	SO-630PV5
VV2828	475	7	I-628C5TB	3	SO-630PV5
VV2838	605	7	I-638C5TB	3	SO-630PV5
VV2844	780	7	I-644C5TB	3	SO-640PV5
VV2856	900	7	I-656C5TB	3	SO-644PV5
VV3638	1045	11	I-638C5TB	5	SO-636PV5
VV3644	1220	11	I-644C5TB	5	SO-636PV5
VV3656	1500	11	I-656C5TB	5	SO-644PV5
VV3756	1725	12	I-656C5TB	6	SO-644V5
VV4244	2000	18	I-644C5TB	7	SO-644V5
VV4256	2300	16	I-656C5TB	8	SO-644V5
VV4456	2500	18	I-656C5TB	8	SO-646V5

**OTHER MODELS AVAILABLE
UPON REQUEST**

DIMENSIONAL DATA

Model	Dimensions (in.) ⁽¹⁾							Weight w/ Skid (lbs)	Volume (US gal)
	A	B	C	D	E	F	G		
VV1222	39 1/4	6	17 1/8	8	4 9/16	1 1/2	No Lift	360	14
VV1522	51 3/16	6	22 7/8	9	7 3/16	2 1/2	17 1/2	500	28
VV1533	57 3/16	6	22 7/8	9	7 3/16	2 1/2	17 1/2	600	37
VV2028	59 3/4	6	29 3/8	13	8 5/16	4	23 3/4	825	63
VV2328	69 1/2	6	46 3/16	15 1/2	14 1/8	4	29 3/8	1170	85
VV2333	69 1/2	8	36 1/16	15 1/2	9 1/16	6	29 3/8	1170	85
VV2828	71 1/4	8	37 1/8	18	9 3/8	6	35	1525	137
VV2838	80 25/32	8	37 1/8	18	9 9/16	6	35	1600	155
VV2844	86 3/16	8	37 1/8	18	9 9/16	6	35	1650	170
VV2856	99 15/32	8	37 1/8	18	9 9/16	6	35	1750	200
VV3638	91 1/32	9	52 7/8	24	12 15/16	8	44	2140	300
VV3644	96	9	52 7/8	24	12 15/16	8	44	2150	305
VV3656	110 1/2	9	52 7/8	24	12 15/16	8	44	2300	355
VV3756	108 15/32	9	52 7/8	24	12 15/16	8	44	2300	355
VV4244	102 25/32	10	61	28	16 1/2	10	52 1/2	3500	500
VV4256	114 25/32	10	61	28	16 1/2	10	52 1/2	3575	536
VV4456	116 15/32	9	62	30	16	10	55 3/8	3800	595



VV15, VV20, and VV23 Series Filter/Separators have flat covers. All other models have domes.

VV15 Series Filter/Separators have screw-type jacks. All other models have hydraulic-type jacks.

1. Dimensions shown are for estimating purposes only.

For exact dimensional detail, obtain certified copy of vessel drawing.