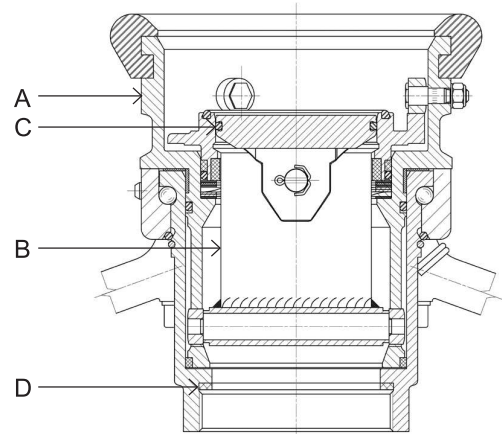
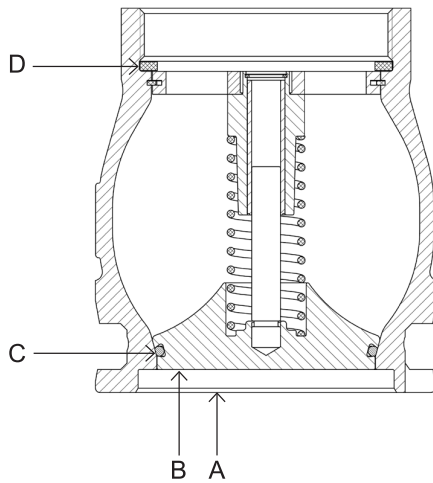


Material identification



Article No Artikel Nr Artikel Nr	Material identification No Materialkenn Nr Materialidentifikation Nr
[] [] [] [] -	A B C C

A	Coupling body / Kupplungsgehäuse / Kopplingskropp
B	Inner Part / Innenteile / Innanmäte
C	Seal / Dichtung / Tätning
D	Thread sealing / Gewindedichtung / Gängtätning

Material A + B

1. Aluminium (Al)*
2. Gunmetal/Brass / Rotguss/Messing / Röd gods/Mässing (Rg)*
3. Steel/Stahl/Stål (Carbon)
4. Stainless Steel (SS)*
7. Hastelloy

* Standard material.

Material C

06. Nitrile (NBR)**
07. Viton® (FKM)**
08. EPDM**
14. KALREZ® 6375 (PFPM)**
17. Fluorosilicone rubber (FMVQ)
23. CHEMRAZ® 505**
26. Zetpoil / Therban (HNBR)
28. Peroxide EPDM
29. CHEMRAZ® 585
33. Viton® GF
36. Nitrile (NBR 90) 90 SHORE
37. Viton® (FKM 90)
38. EPDM 90 SHORE
39. Viton® GF-LT
41. CHEMRAZ® 525
47. FDA approved FKM
48. FDA approved EPDM
53. CHEMRAZ® SD 505
57. Viton® B (Fame)
58. CHEMRAZ® 605

Available O-ring materials. Others on request.

** Most common O-ring materials.

All trademarks used are properties of their respective owners.